

SPECIFICATION SHEET

SAMPLE COOLERS

SERIES: 10,000
DATE ISSUED: 12/12/01
REPLACES:— 9000

DESIGN FEATURES

CONTINUOUS COIL DESIGN — No internal cooling coil connections to leak or require maintenance

HEAVY DUTY — All stainless steel coils of 316 S.S. rated to 5000psig @ 1000°F.

SERVICEABLE — Removable shell allows inspection and cleaning. Cooler connections allow for easy removal.

CLOSE APPROACH TEMPERATURE — Design maximizes cooling water/coil contact and minimizes fouling.

GASKET — Non-Asbestos — HIGH TEMPERATURE

SHELL & END PLATES — Carbon steel standard; or 304 S.S. available as option.



DESIGN CRITERIA

MODEL NO.	TUBE RATING	SHELL RATING	TUBE MATERIAL	SQ. FT.	WT. LBS.
25020	5000 psig @ 1000°F	500 psig @ 650°F	1/4" O.D. 316 S.S.	1.2	16 lbs.
25040	5000 psig @ 1000°F	500 psig @ 650°F	1/4" O.D. 316 S.S.	2.4	20 lbs.
37520	5000 psig @ 1000°F	500 psig @ 650°F	3/8" O.D. 316 S.S.	1.8	35 lbs.
37540	5000 psig @ 1000°F	500 psig @ 650°F	3/8" O.D. 316 S.S.	3.5	39 lbs.

*Add — S.S. suffix to model number for stainless steel shell and end plates.



JOHNSON MARCH SYSTEMS, INC.

220 RAILROAD DRIVE • IVYLAND, PA 18974-1480 • USA
(215) 364-2500 • FAX (215) 364-5425
www.johnsonmarch.com
E-mail: sales@johnsonmarch.com



A3362

REGISTERED
TO ISO 9001

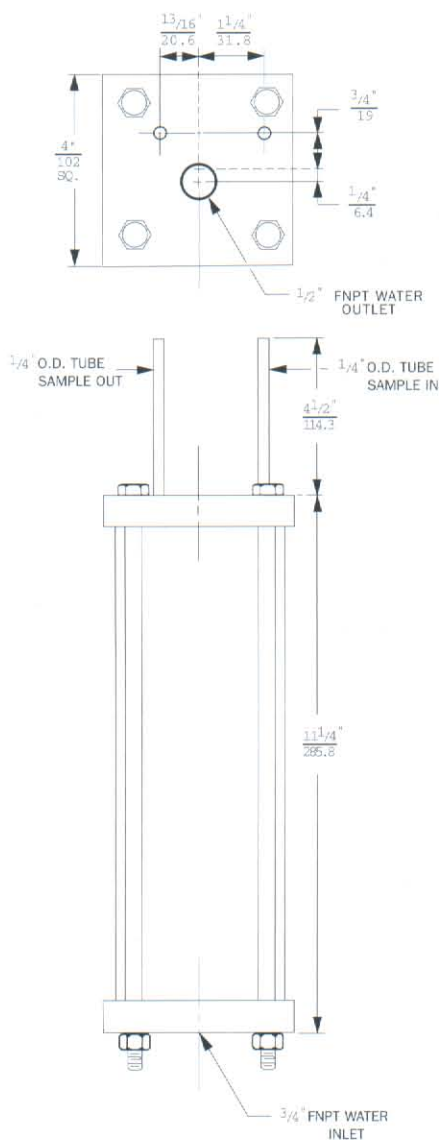
COOLER PERFORMANCE

Sample Flow Rate cc/min	SAMPLE INLET TEMPERATURE °F											
	MODEL 25020*			MODEL 25040*			MODEL 37520**			MODEL 37540**		
	300	500	700	300	500	700	300	500	700	300	500	700
500	101	104	105	96	96	96	100	102	102.5	95.5	96	96.5
1000	107	118	138	96	97	98	106	107.5	129	96	97	98.5
1500	117	145	—	97	99	115	113	133	—	97	98	101
2000	135	185	—	102	108	—	125	160	—	98	100	107
	SAMPLE OUTLET TEMPERATURE °F											

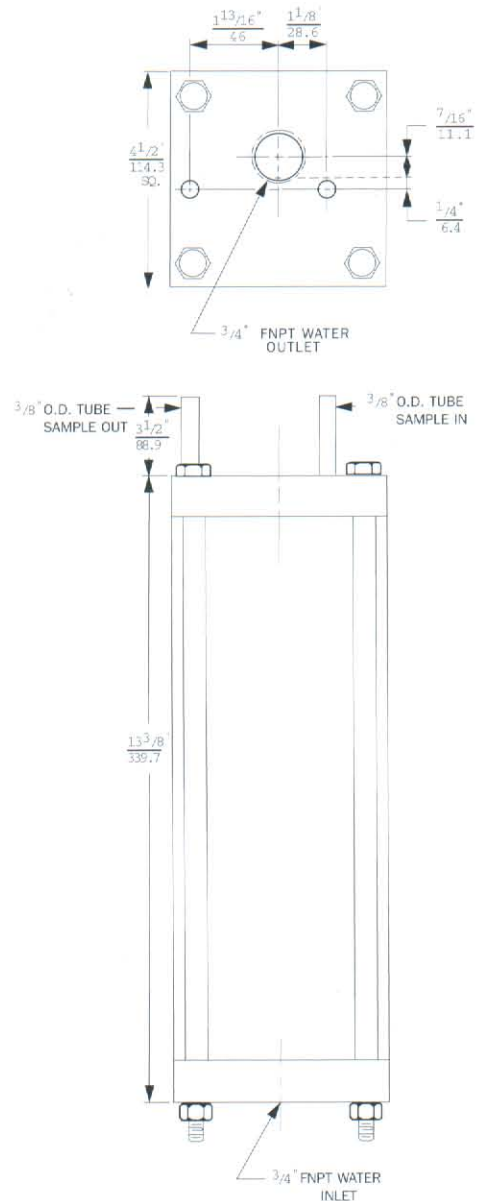
Based on 95°F Cooling Water Temperature
* 7 GPM Coolant Flow **12 GPM Coolant Flow

DIMENSIONS

MODEL NO.
25020
25040



MODEL NO.
37520
37540



Ordering Information Required

1. Model number
2. Medium to be cooled, sample pressure and temperature
3. Sample flow and temperature required
4. Cooling water maximum temperature and flow available
5. Mounting bracket is an additional cost